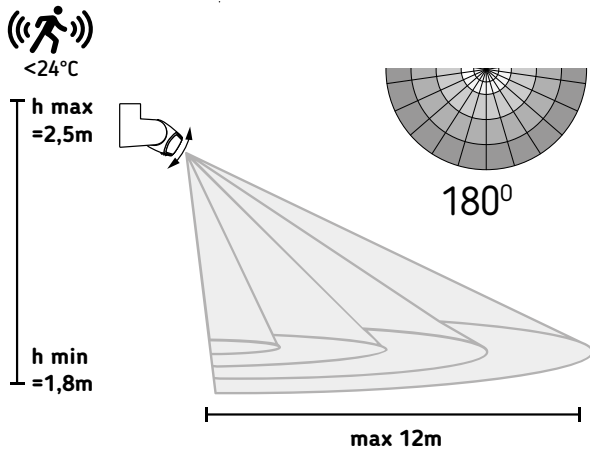


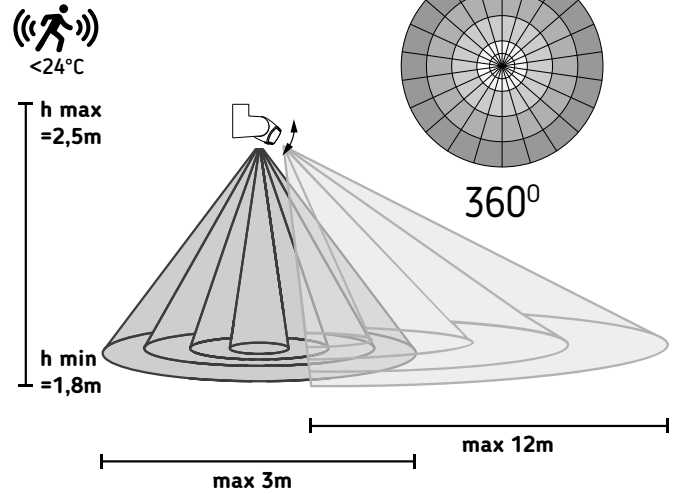
1 → 8 B,A → 7 → 6 → 5 C,B



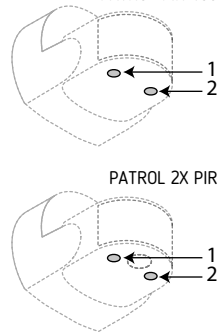
### PATROL PIR 180



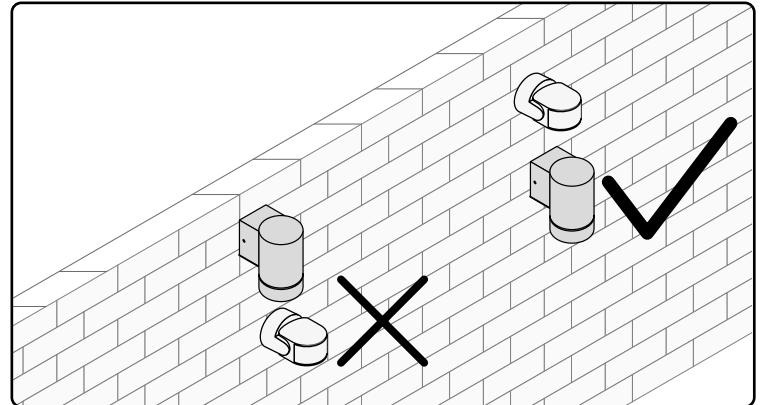
### PATROL 2X PIR



PATROL PIR 180



1 2	30 300 <b>LUX</b> 3 - 2000 lx	90s 3min <b>TIME</b> 10s - 15 min
--------	--	--



A5 B5